

# Indoor fuse bases

single- and three-pole design  
rated voltage 12, 25 and 38.5 kV  
rated current up to 200 A



**DRIBO, spol. s r.o.**

Pražákova 36  
619 00 Brno  
Czech Republic

Tel.: +420 533 101 111, Fax: +420 543 216 619, E-mail: [dribo@dribo.cz](mailto:dribo@dribo.cz), Internet: <http://www.dribo.eu>

ISO 9001  
ISO 14001  
BUREAU VERITAS  
Certification



## Indoor fuse bases

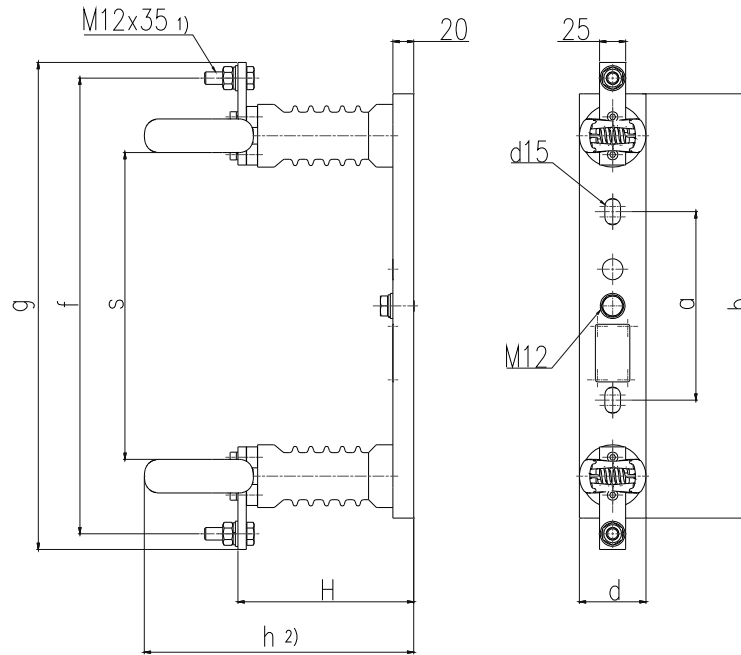
These meet the requirements of EN 62271-1 standard and are designed to accommodate fuse insert to EN 60 282-1, for current from 2 to 200 A, and for voltages of 12; 25 and 38.5 kV.

The advantages of the fuses are their small dimensions and low weight.

The three-pole fuse bases can be equipped with mechanism for remote indication of the fuse tripped state.

The fuse base is made of bent steel sheets, with hot galvanized surface.

## Single-pole design

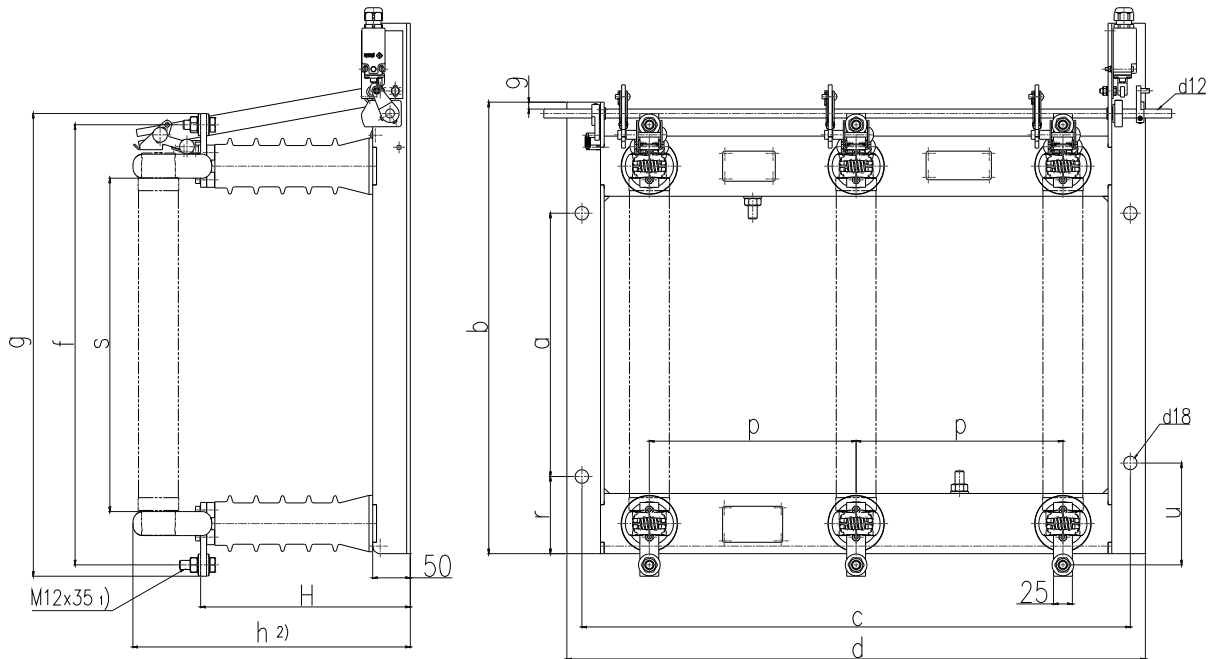


<sup>1)</sup> hexagonal screw with nut, shim and spring washer

<sup>2)</sup> for highest fuse diameter of 88mm (to DIN 43625)

rated voltage kV	part nr.	a	b	d	f	h	H	s	weight kg
12	733 14000	180	405	64	435	465	260	170	3,5
25	733 24000	300	565	64	585	615	340	250	5,5
38,5	733 34000	380	670	64	680	710	460	370	11,1

## Three-pole design



- 1) hexagonal screw with nut, shim and spring washer  
 2) for highest fuse diameter of 88mm (to DIN 43625)

rated voltage kV	part nr.		a	b	c	d	f	g	h	H	p	r	s	u	hmotnost kg
	w/o indication of the tripped state	with indication of the tripped state													
12	733 11000	-	280	450	600	640	435	465	290	200	210	63	293	78	15,5
12	-	733 12000	280	450	600	640	435	465	290	200	210	63	293	78	17,9
25	733 21000	-	350	600	730	770	585	615	370	280	275	103	443	118	26
25	-	733 22000	350	600	730	770	585	615	370	280	275	103	443	118	29
38,5	733 31000	-	450	695	1000	1040	680	710	490	400	400	100	538	115	40
38,5	-	733 32000	450	695	1000	1040	680	710	490	400	400	100	538	115	43,7