

Bases and carts

for the KUF circuit breakers



DRIBO, spol. s r.o.

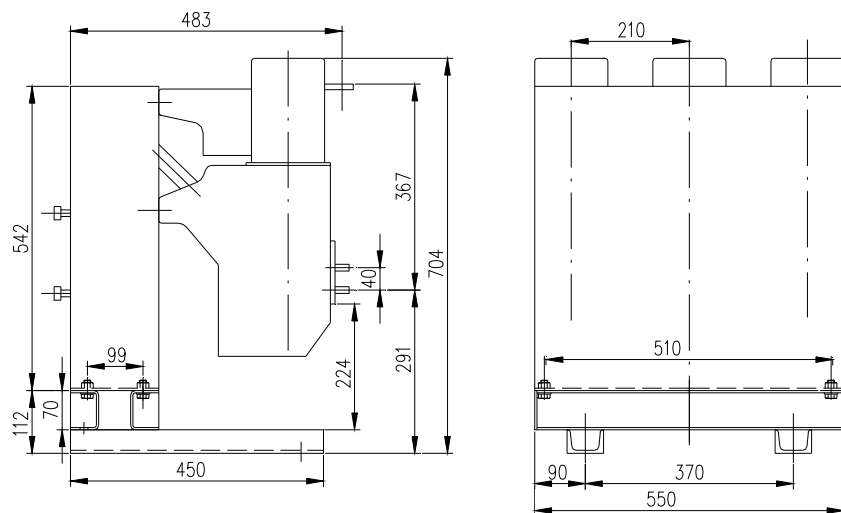
Pražákova 36
619 00 Brno
Czech Republic

Tel.: +420 533 101 111, Fax: +420 543 216 619, E-mail: dribo@dribo.cz, Internet: <http://www.dribo.eu>

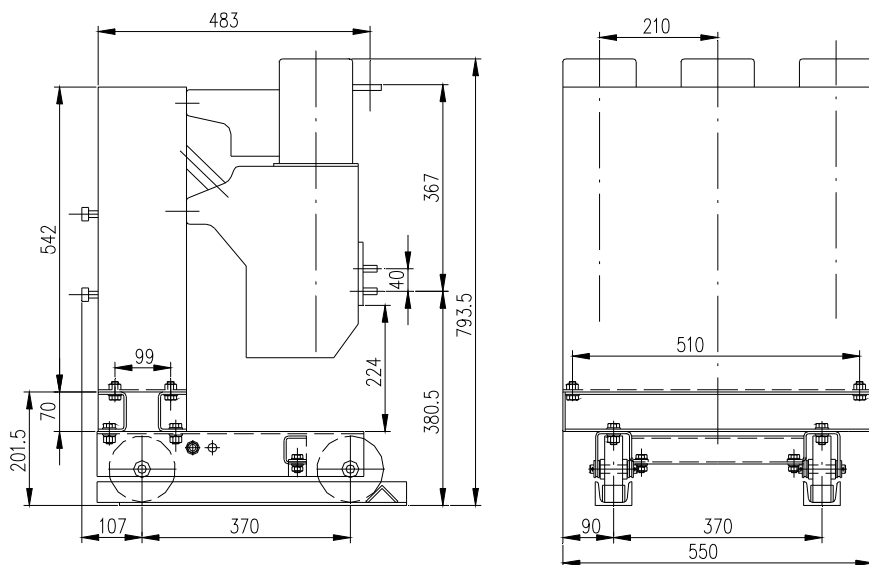
ISO 9001
BUREAU VERITAS
Certification



Bases and carts for the KUF circuit breakers; 12 kV

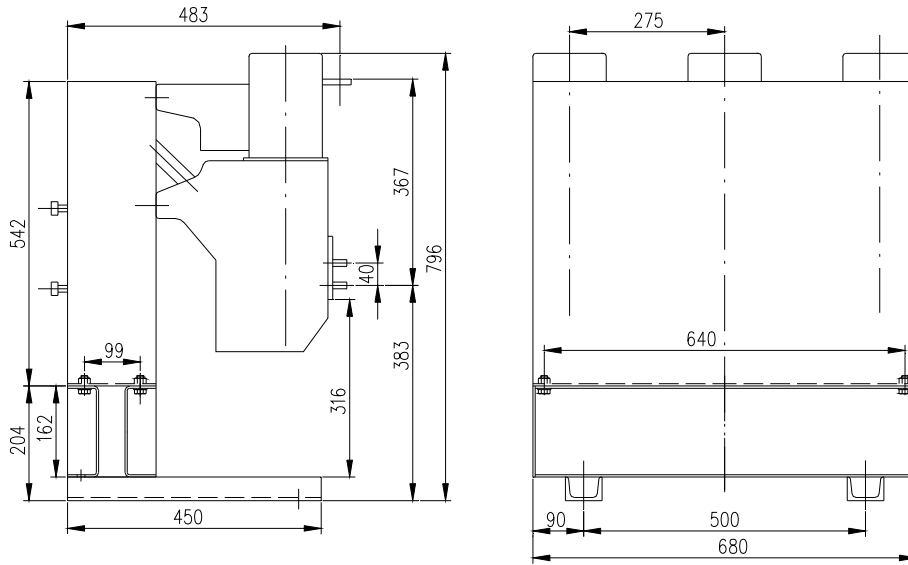


The circuit breaker KUF 12 kV / 630 A (1250 A), $p = 210$, mm on the base

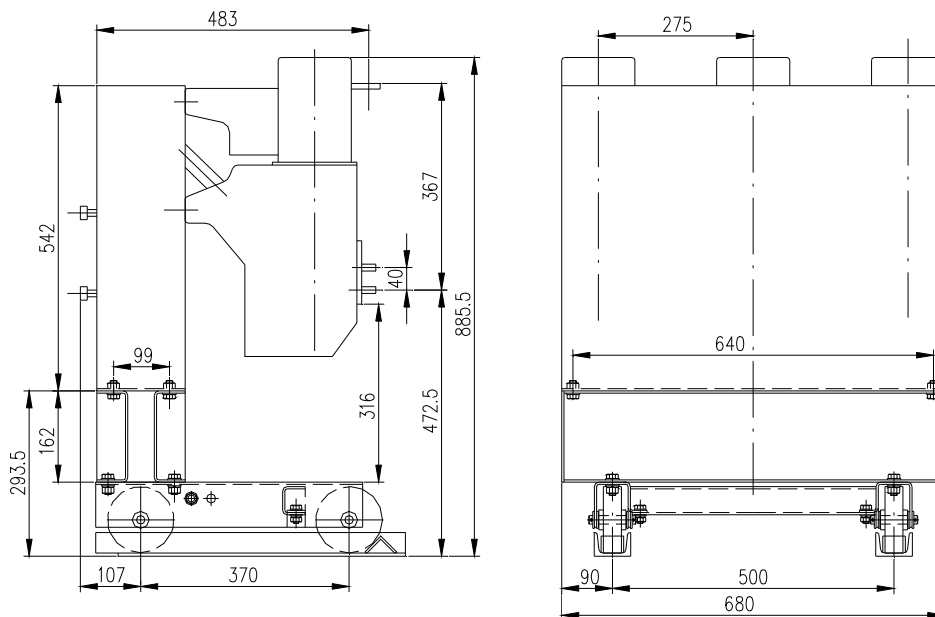


The circuit breaker KUF 12 kV / 630 A (1250 A), $p = 210$, mm on the cart

Bases and carts for the KUF circuit breakers; 25 kV

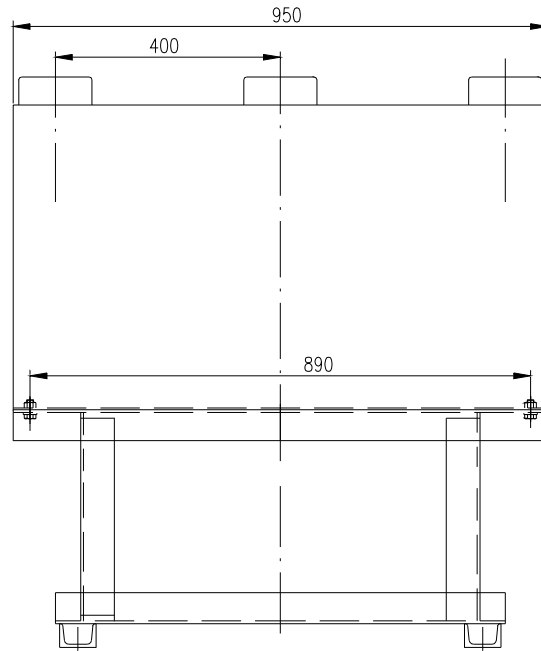
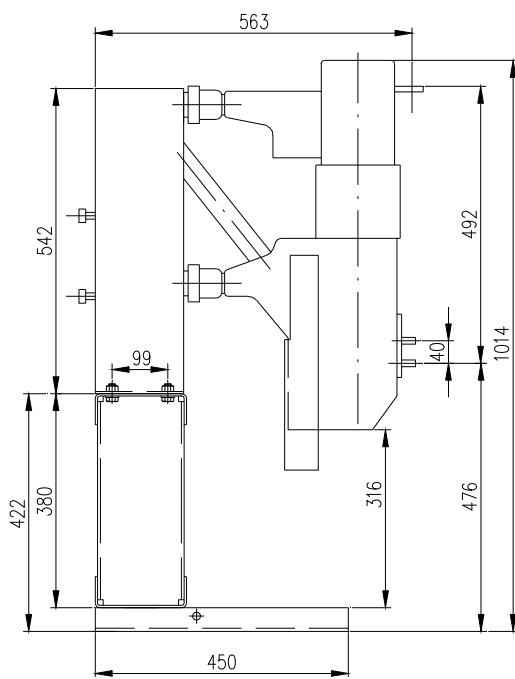


The circuit breaker KUF 25 kV / 630 A (1250 A), $p = 275$, mm on the base

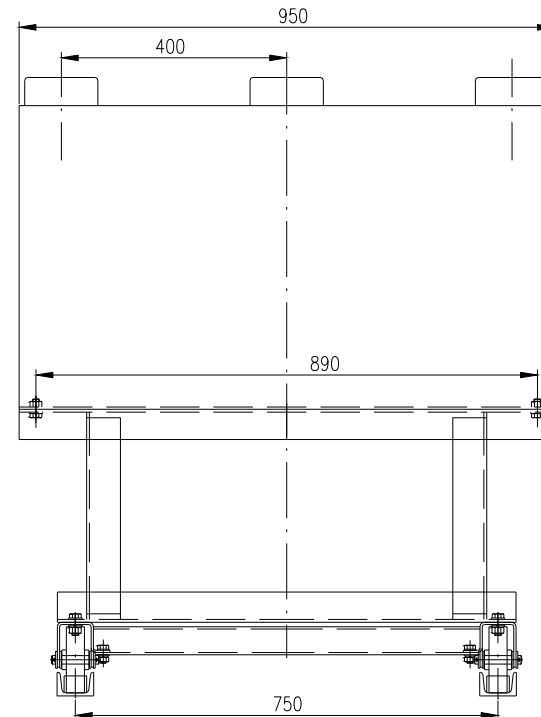
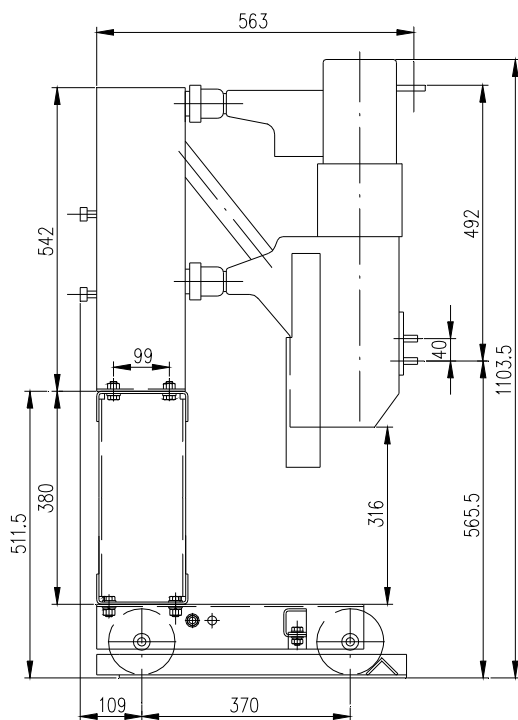


The circuit breaker KUF 25 kV / 630 A (1250 A), $p = 275$, mm on the cart

Bases and carts for the KUF circuit breakers; 38,5 kV



The circuit breaker KUF 38.5 kV / 630 A (1250 A), p = 400, mm on the base



The circuit breaker KUF 38.5 kV / 630 A (1250 A), p = 400, mm on the cart