

# Medium voltage switchgear type K 900

with H 27 SEA load disconnecter or fuses  
rated voltage 25 kV  
rated current 630 A



**DRIBO, spol. s r.o.**

Pražákova 36  
619 00 Brno  
Czech Republic

Tel.: +420 533 101 111, Fax: +420 543 216 619, E-mail: [dribo@dribo.cz](mailto:dribo@dribo.cz), Internet: <http://www.dribo.eu>

ISO 9001  
ISO 14001  
BUREAU VERITAS  
Certification



## General

The air-insulated K 900 switchboard meets the requirements of the EN 62271-102 standard. This type of switchboard is intended to be used in small transformer stations, using all the advantages of a concept of air-insulated switchboards. The switchboard is conducive to be installed in close-packed distribution stations (such as the Betonbau UK 1700, EEIKA TMT-minibox, Eltraf CTS bt, Marbeton KN 1720, etc.).

Switchboard design:

- K 900 S: with H 27 SEA load disconnecter
- K 900 P: with fuse holders for fuses up to 200 A

Characteristics:

- H 27 load disconnecter could be equipped with earthing switch. The earthing switches with short-circuit making capability are provided with interlocking system.
- The drive units of the load disconnectors and the earthing switches (K 900 S) are operated through a stubby hex driver lever.
- Screwed supporting parts are made of 2 mm galvanized sheets; the rear supporting wall is made of 2.5 mm galvanized sheet.
- The switchboard panel features one HV compartment with built-in consoles to attach the cables and surge arresters. The upper part of the panel rear side is opened. The console with the cable clamps provides for a downright outlet of the cables into the transformer area.
- The front side is equipped with left-hand hinged one-wing metallic doors, with mimic diagram and glued multi-layer safety glass window used for the safe inspection of the switchboard.
- By default, the doors are delivered in the RAL 2004 (orange) colour.
- The panel is equipped with central lock, for which a special key to the DIN 43668, size no. 5 is to be used.
- An insulating protective plate used to separate the cable area during revision works, can be inserted when the panel door is closed (K 900 S).

## Technical data

rated voltage	$U_r$	kV	25
rated frequency	$f_r$	Hz	50
rated current	$I_r$	A	630
rated short-time current	$I_k$	kA	16
rated peak withstand current	$I_p^*$	kA	40
rated making current*	$I_{ma}^*$	kA	40
rated breaking current – $\cos \phi 0,7^*$	$I_{oad}$	A	630
rated breaking current of closed loop*	$I_{loop}$	A	630
rated breaking current of unloaded transformer*	$I_{nitr}$	A	10
rated breaking current of no-load cable and power line*	$I_{cc}$	A	35
rated breaking current of the earth fault*	$I_{ef1}$	A	320
rated cable charging breaking current below earth fault conditions*	$I_{ef2}$	A	178
weight of the embedded-mounting type of the switchgear K 900 S / K 900 P		kg	105 / 150
weight of the floor-mounting type of the switchgear K 900 S / K 900 P		kg	130 / 175

\* valid for K 900 S with load disconnecter H 27 SEA

## Withstand voltages

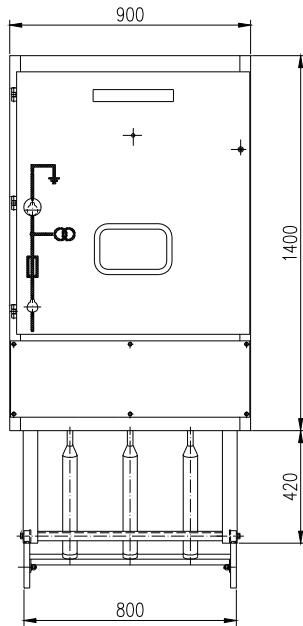
rated short-time withstand power frequency voltage / 1min.			
against the earth, across the poles and between contacts		kV	125
across the insulating distance		kV	145
rated lightning pulse withstand voltage			
against the earth, across the poles and between contacts		kV	50
across the insulating distance		kV	60

## Auxiliary equipment

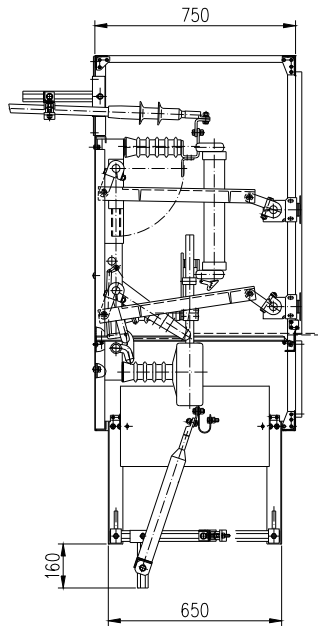
- arrangement for mounting of the surge arresters
- arrangement for connecting of plastic insulation cables of up to 120 mm<sup>2</sup> cross section

## K 900 S – the embedded-mounting type of the switchgear

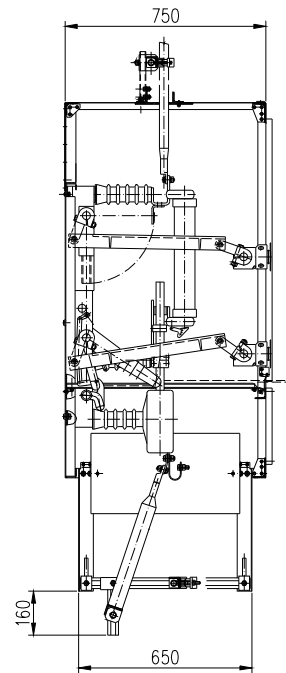
front view



switchgear profile –  
back outlet

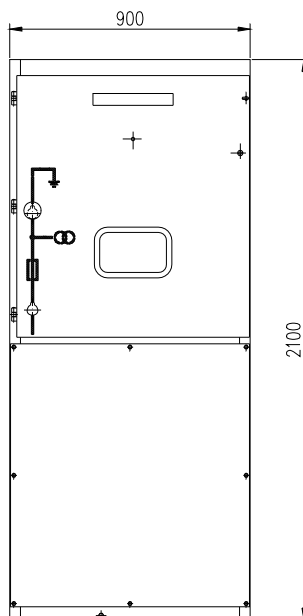


switchgear profile –  
upper outlet

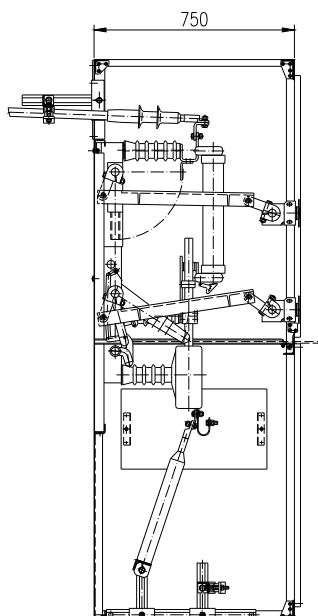


## K 900 S – the floor-mounting type of the switchgear

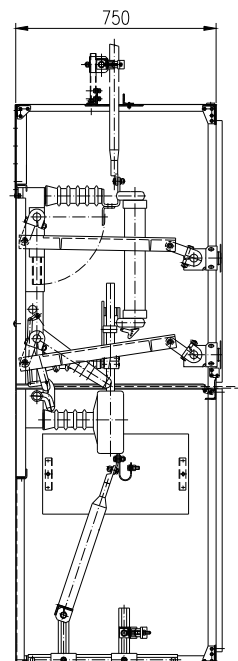
front view



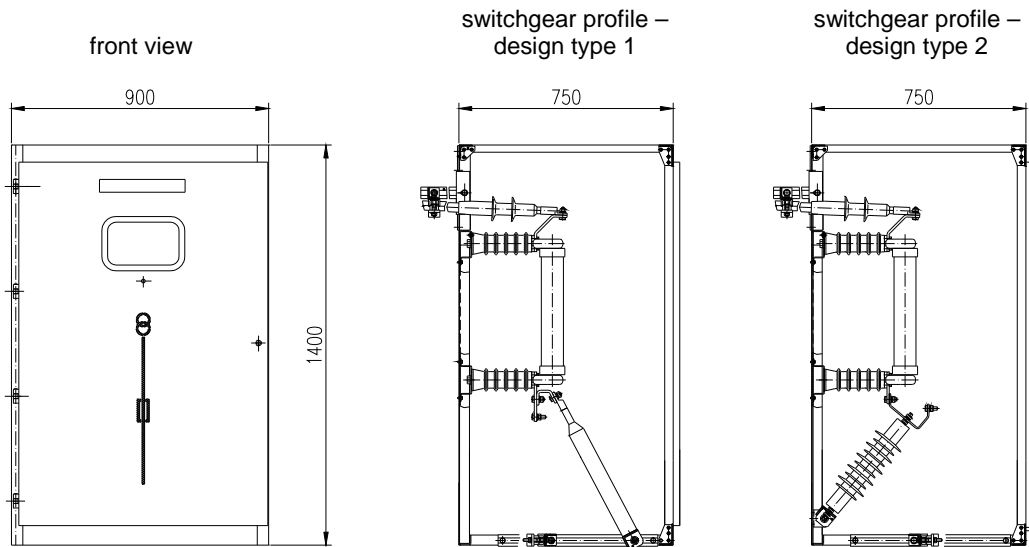
switchgear profile –  
back outlet



switchgear profile –  
upper outlet



## K 900 P – the embedded-mounting type of the switchgear



## K 900 P – the floor-mounting type of the switchgear

