

Outdoor fuse bases

single-pole design
rated voltage 25 and 38.5 kV
rated current 2 to 200 A



DRIBO, spol. s r.o.

Pražákova 36
619 00 Brno
Czech Republic

Tel.: +420 533 101 111, Fax: +420 543 216 619, E-mail: dribo@dribo.cz, Internet: <http://www.dribo.eu>

ISO 9001
BUREAU VERITAS
Certification



Outdoor fuse bases

The fuse bases satisfy the Czech standard EN 62271-1, the fuses meet the stipulations of EN 60282-1 and DIN 43625, and are in conformity with the corresponding IEC, DIN and VDE regulations. The supporting insulators comply with the stipulations for pollution degree IV areas as defined by ČSN 33 0405.

The fuse bases are used as a fuse fixture installed in a MV electrical circuit, especially at transition points from an overhead into a cable line, or when connecting transformers to the line.

The fuse base frame is made of steel sheet profiles, the surface of which is protected with hot-galvanization to prevent corrosion.

All the current-carrying parts of the fuse bases are made of galvanic silver-coated electrolytical copper.

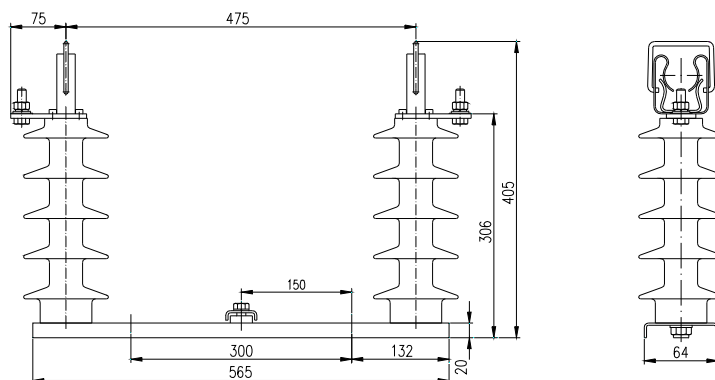
The fuse bases are delivered with supporting insulators made of cycloaliphatic resin.

The fuse bases may accommodate any type of fuse to DIN 43625, with rated currents from 2 to 200 A, and rated voltage levels of 25 kV and 38.5 kV.

Types of fuse bases

Type of device	Type of overvoltage limiter	Ordering number	Weight in kg (without fuses)
Rated voltage 25 kV, rated current 2 – 200 A			
PS 25	without overvoltage limiter	11002500	8
Rated voltage 38.5 kV, rated current 2 – 200 A			
PS 38	without overvoltage limiter	11003800	14

Fuse bases – type PS 25



Fuse bases – type PS 38

