

# Supporting insulators for outdoor use

rated voltage 25 and 38,5 kV



**DRIBO, spol. s r.o.**

Pražákova 36  
619 00 Brno  
Czech Republic

Tel.: +420 533 101 111, Fax: +420 543 216 619, E-mail: [dribo@dribo.cz](mailto:dribo@dribo.cz), Internet: <http://www.dribo.eu>

ISO 9001  
BUREAU VERITAS  
Certification



## Supporting insulators for outdoor use

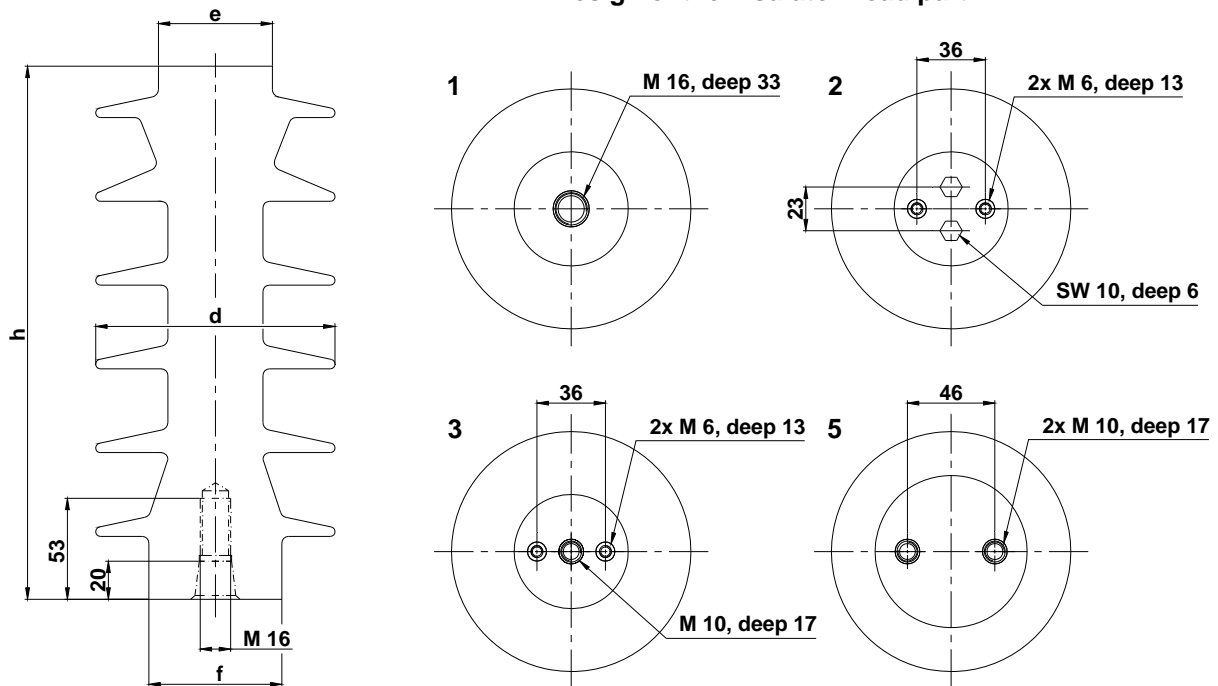
The design of the supporting insulators is the result of long-term experience and the newest developments at Driescher.

The supporting insulators are made from cycloaliphatic epoxy resin, using the pressurized gelation process. Epoxy-resin based insulators feature a long-term service life in outdoor use, long service life in outdoor environment and reduced demand on maintenance as compared with the ceramic insulators (no necessity to clean and maintain the insulator surface).

Up-to-date design, low weight, dimensional accuracy and maintenance-free properties pre-determine the insulators for extended use in the electrical industry and power engineering.

The insulators meet the requirements of the following standards: IEC 60660, IEC 60060-1, IEC 60270.

### Design of the insulator head part



Rated voltage	Head part design	Order No.	d	e	f	h	Number of skirts	Bend strength	Surface creepage distance	Rated lightning impulse test voltage in dry conditions	Rated AC test voltage in rainy conditions	Weight
kV	-	-	mm	mm	mm	mm	-	N	mm	kV	kV	kg
25	1	476.045	126	60	70	280	6	5600	625	145	50	2,4
25	2	476.048	126	60	70	280	6	5600	625	145	50	2,4
25	3	476.047	126	60	70	280	6	5600	625	145	50	2,4
25	5	476.046	126	80	70	280	6	5600	617	145	50	2,4
38,5	1	476.049	130	68	75	360	8	5450	824	180	80	3,3
38,5	2	476.052	130	68	75	360	8	5450	824	180	80	3,3
38,5	3	476.051	130	68	75	360	8	5450	824	180	80	3,3
38,5	5	476.050	130	80	75	360	8	5450	820	180	80	3,3